

IF IN DOUBT ASK
DO NOT SCALE

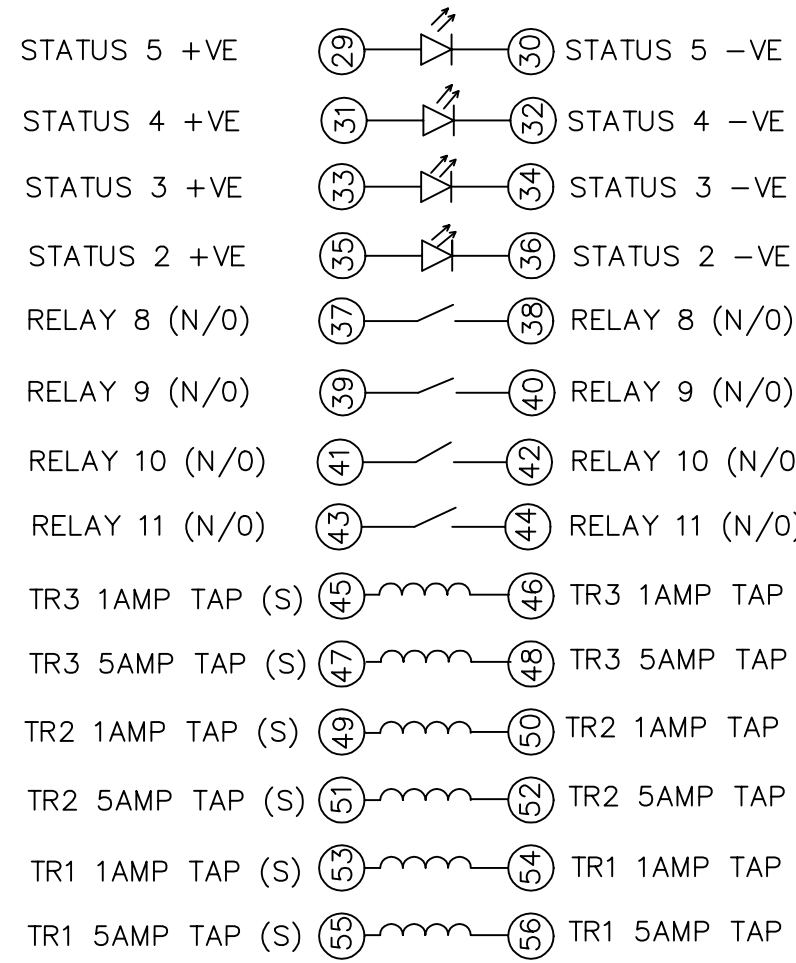
PROTECTION TYPE	SCHEMATIC DIAGRAM
3 PHASE+EARTH	2434W10014 (A3)
3 PHASE+SEF	2434W10015 (A3)
2 PHASE+EARTH	2434W10016 (A3)
3 PHASE	2434W10017 (A3)
2 PHASE+SEF	2434W10018 (A3)
2 PHASE+EARTH+SEF	2434W10019 (A3)
2 PHASE+EARTH(DIR)	2434W10024 (A3)

NOTES

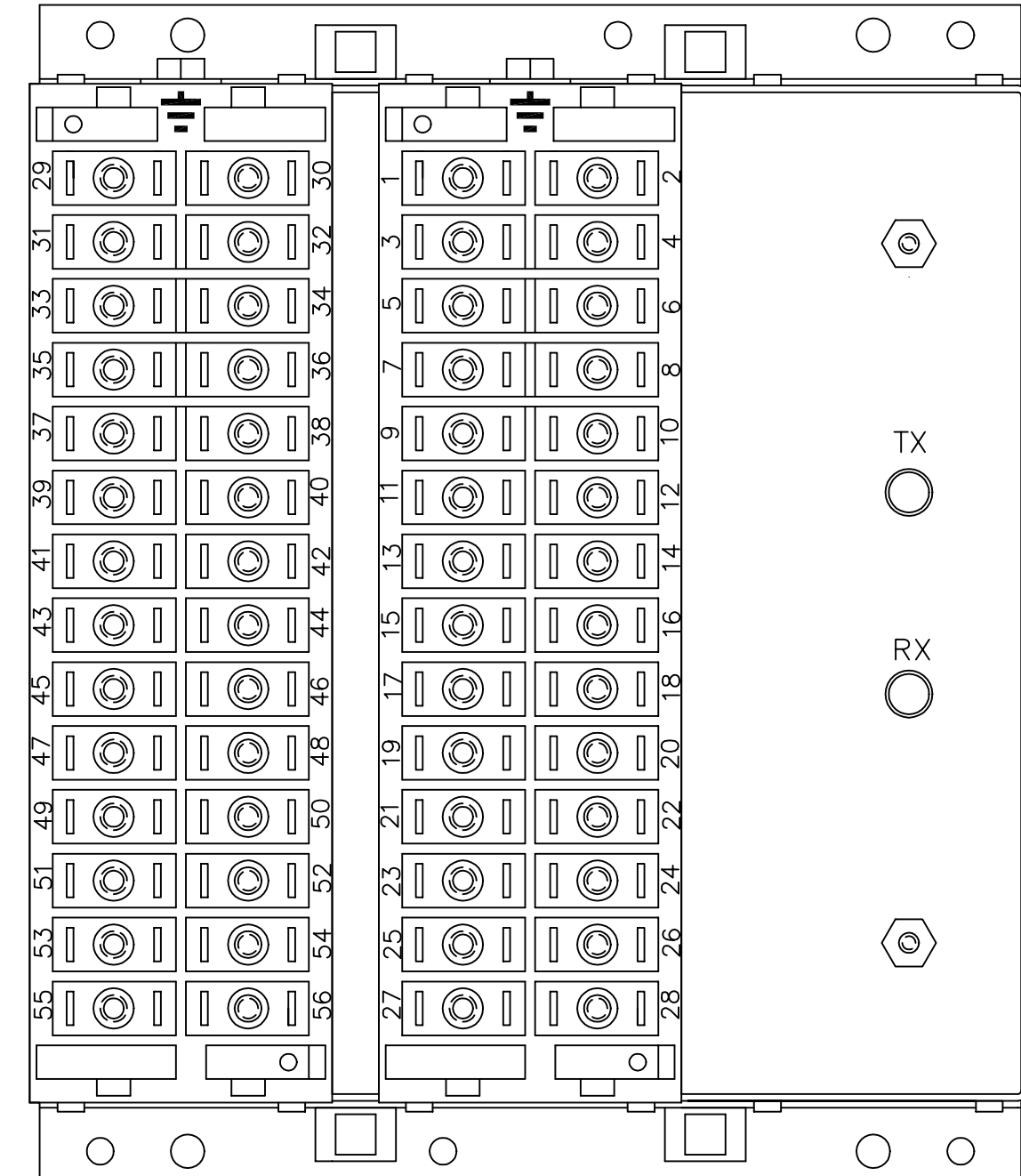
- 1 FOR R6 BOX ASSY SEE 2434H10002 (A1)
- 2 TERMINALS RECOMMENDED ARE PRE INSULATED & MUST BE CRIMPED USING APPROVED TOOLING. AMP PIDG OR PLASTI GRIP FUNNEL ENTRY (RING TONGUE) FOR M4 FIXING STUD.

SUPPLIER	AMP	CABLE SIZE
	342103	0.25-1.6 SQ MM
	342143	1.0-2.6 SQ MM.

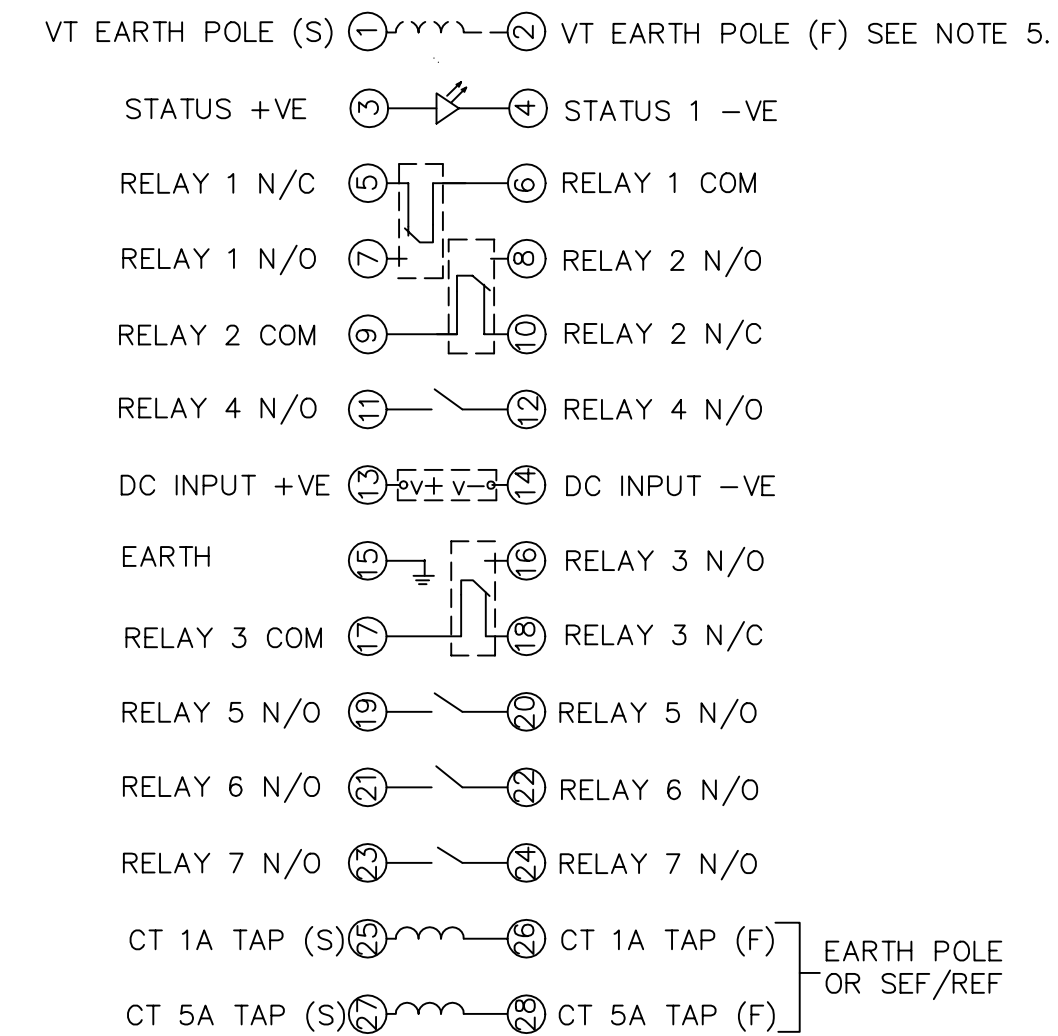
- OR ANY OTHER MANUFACTURERS EQUIVALENT TERMINAL.
- 3 FOR OUTLINE & DRILLING DRG SEE 2434X10001 (A4).
- 4 PROTECTIVE CAPS TAKEN FROM FIBRE OPTIC CONNECTORS MAY BE RETAINED ON COMMS INTERFACE FIXING NUTS.
- 5 RELAYS WITH DIRECTIONAL E/F POLE BUT NON DIRECTIONAL P/F ARE HOUSED IN R6 CASE. (SEE TERMINALS 1&2).



CONNECTIONS FOR EXP BOARD WHEN REQUIRED



BOX VIEWED FROM REAR



**NOT SUBJECT TO UPDATE
ONCE COPIED / PRINTED
OR DOWNLOADED**

MATERIAL:

Dimensions in millimetres ; Surface texture in micrometres.
Machine where marked ✓
For explanation of dimensions, tolerances, notes etc. see B.S.308.
Limit on untoleranced unmachined dimensions ± _____
Limits on untoleranced machined dimensions to B.S.4500;
i.e. up to 6±0.1; over 30 to 120±0.3; over 315±0.8;
over 6 to 30±0.2; over 120 to 315±0.5;
General unmachined angular tolerance ± _____

Finish: _____
Treatment: _____

Title: TERMINAL IDENTIFICATION & RELAY WIRING DIAGRAM
4 POLE DCD RELAY (R6 CASE)
**Reyrolle Protection
Hebburn.**

Original Scale: 1:1

First used on: _____
Similar Articles: 2434W20003
Supersedes: _____
Drg. No. **2434W20001**

3	28/1/97	MN434/81
2	23/9/96	MN434/32
1	28/8/96	CHANGE NOTED

Copyright © Reyrolle Ltd.